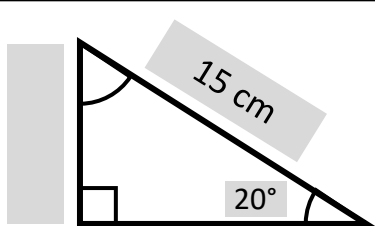
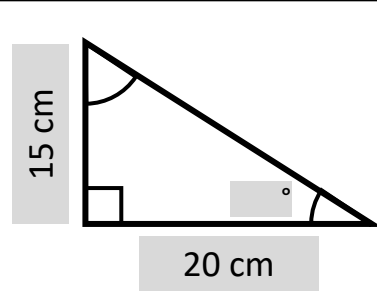


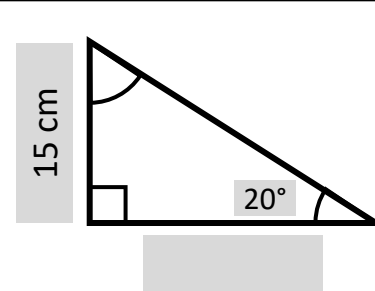
1.



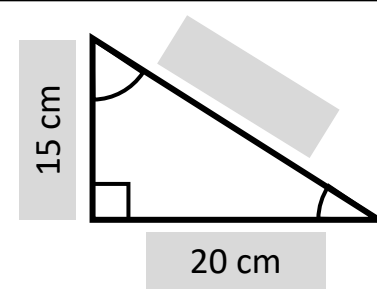
2.



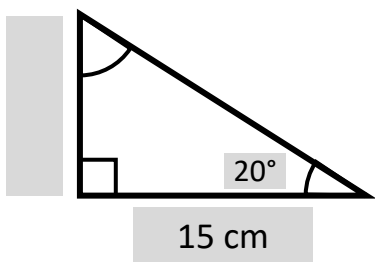
3.



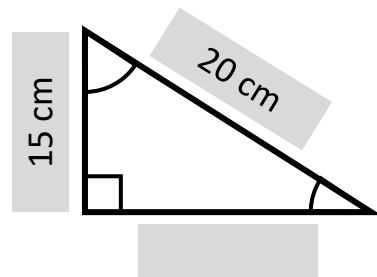
4.



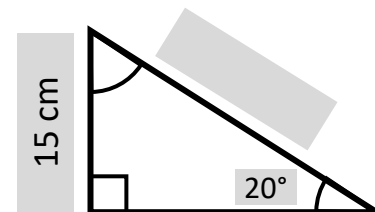
5.



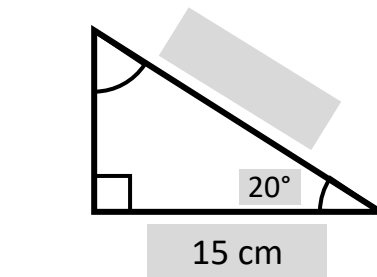
6.



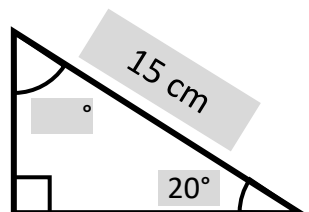
7.



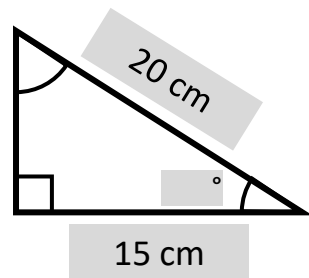
8.



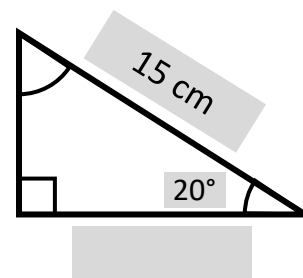
9.



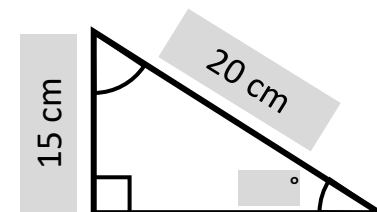
10.



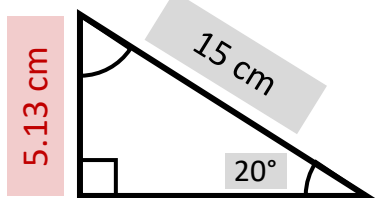
11.



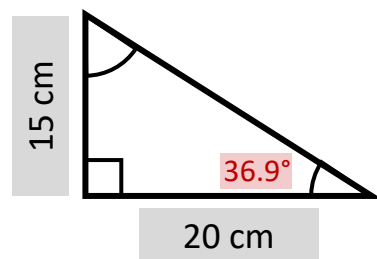
12.



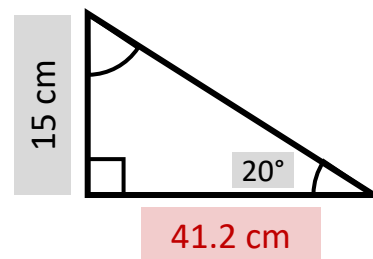
1.



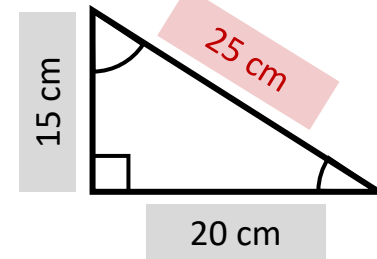
2.



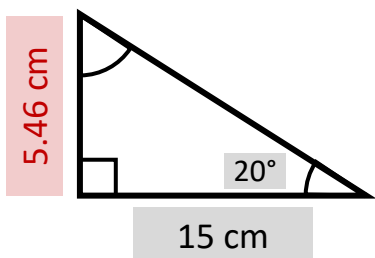
3.



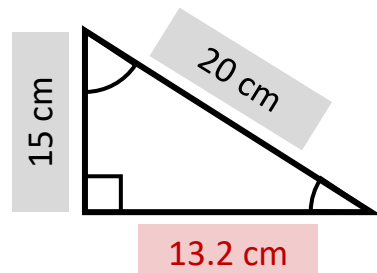
4.



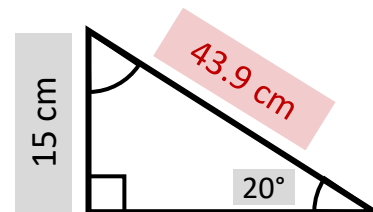
5.



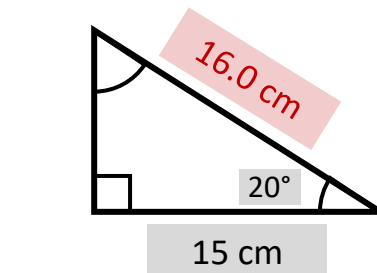
6.



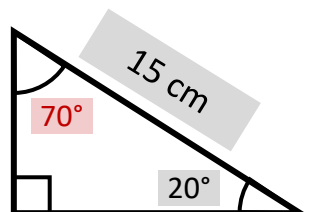
7.



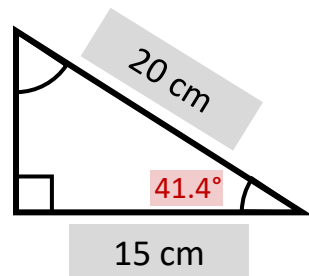
8.



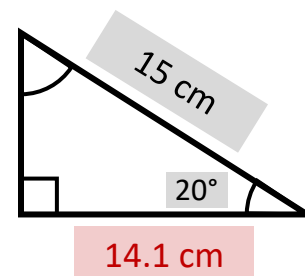
9.



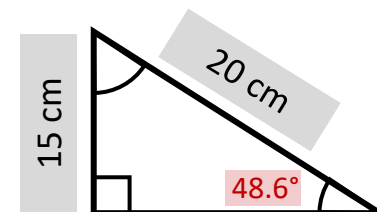
10.

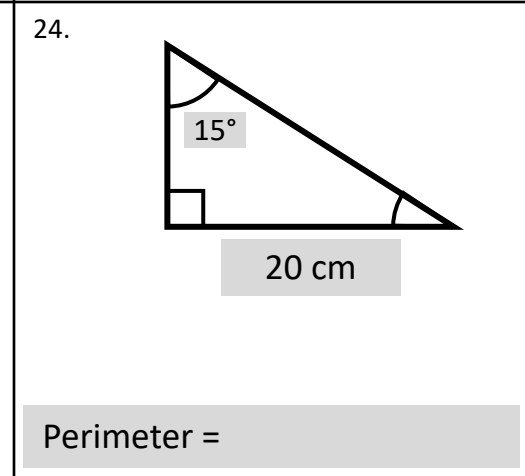
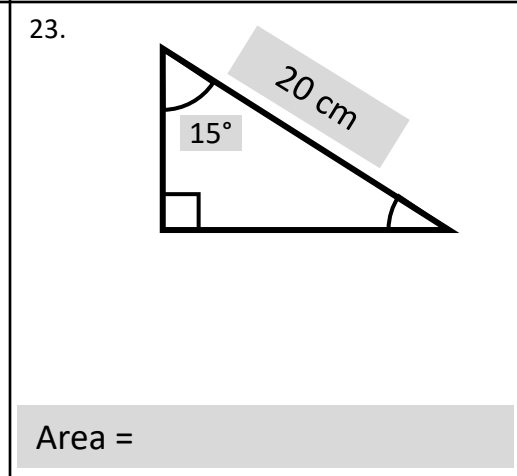
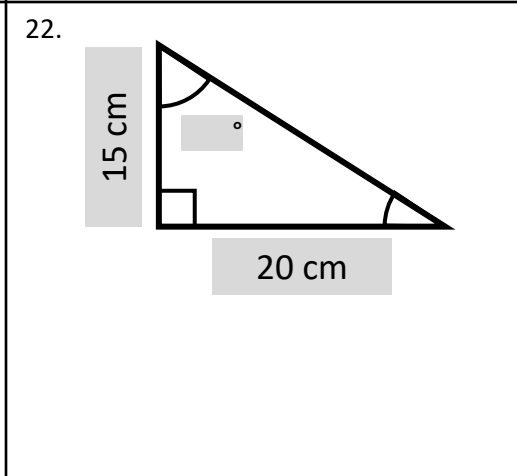
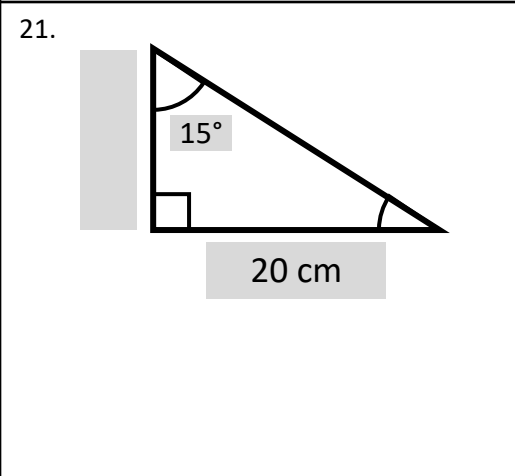
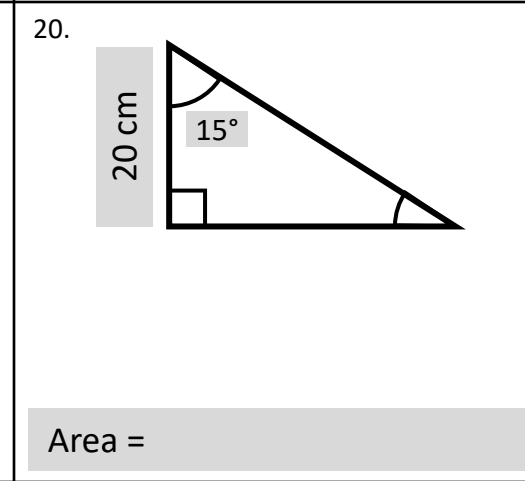
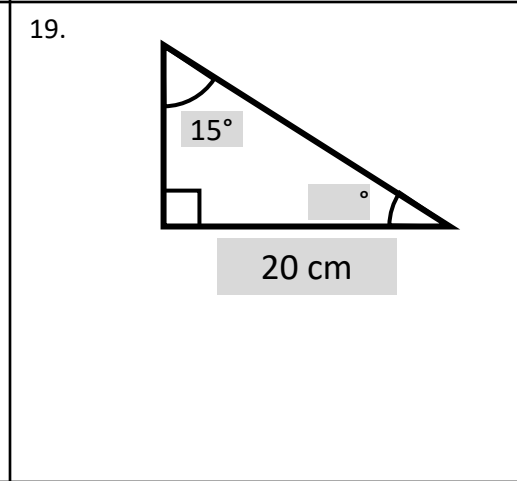
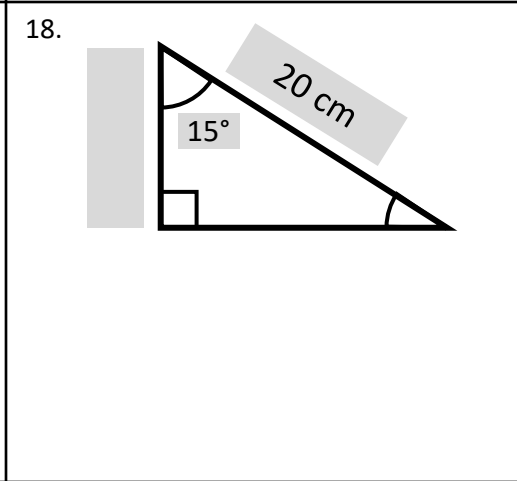
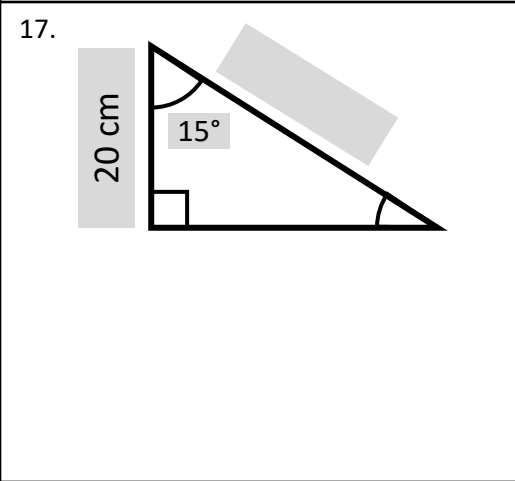
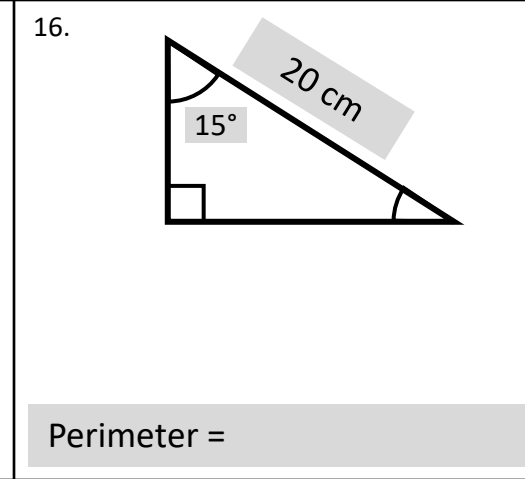
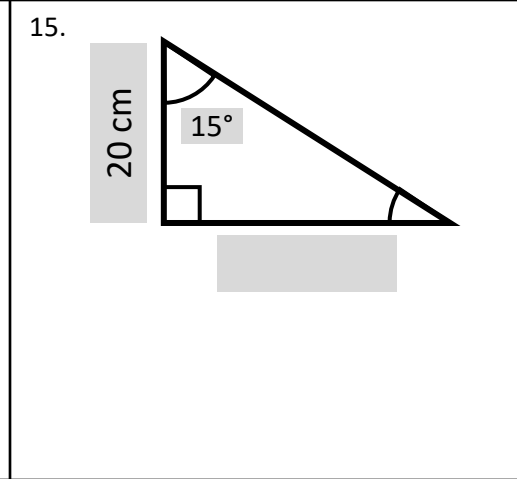
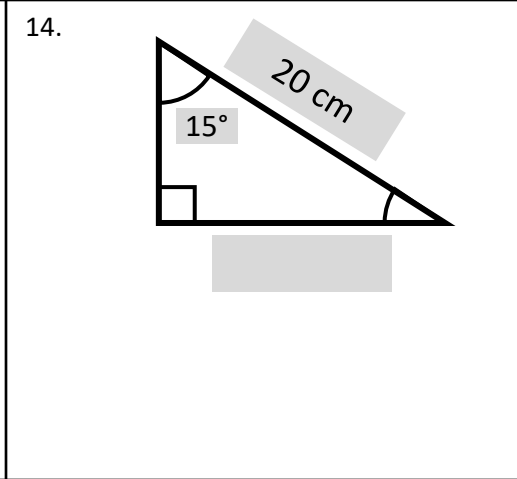
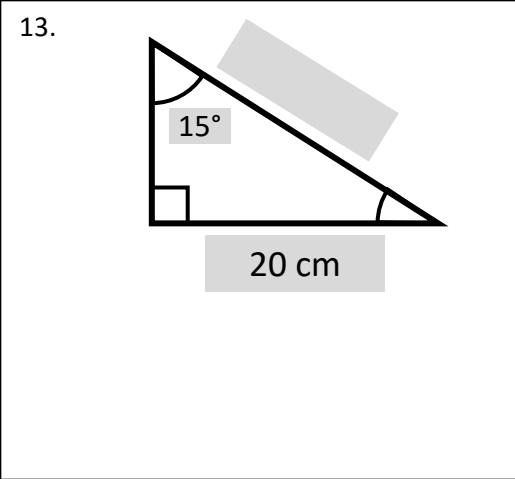


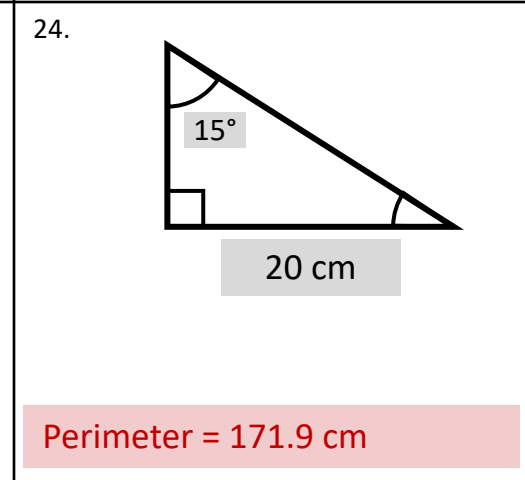
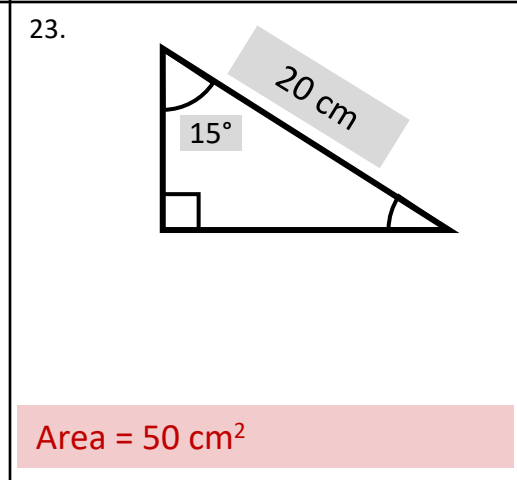
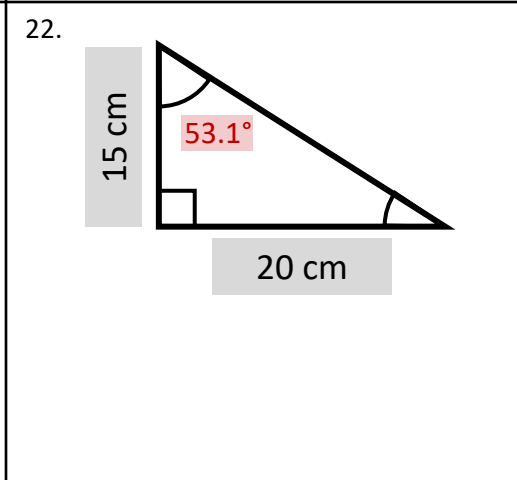
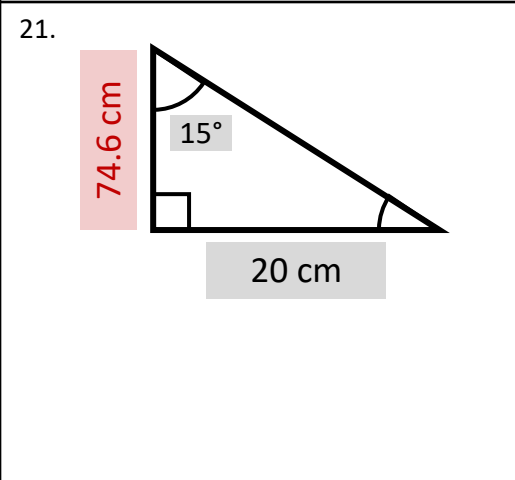
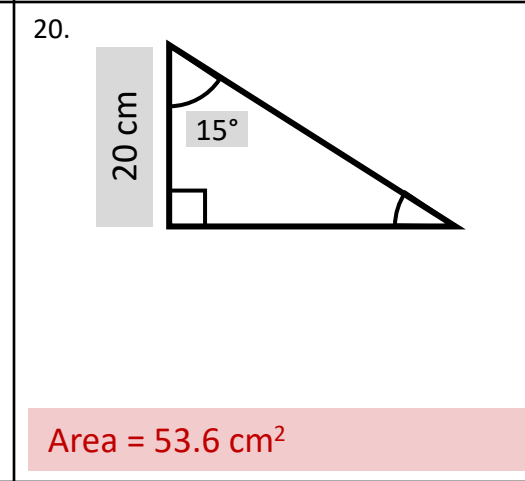
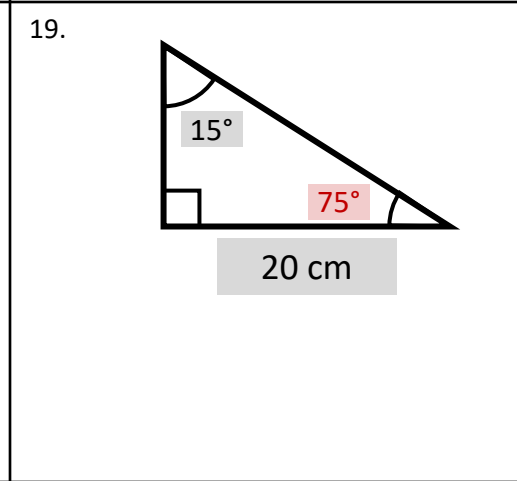
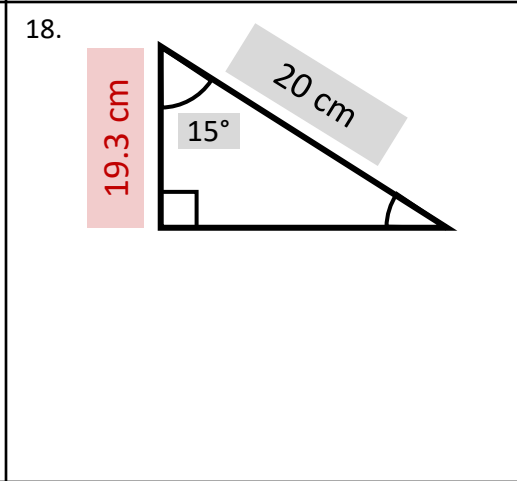
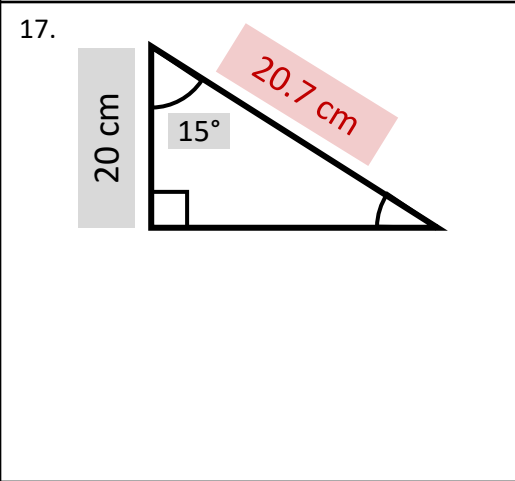
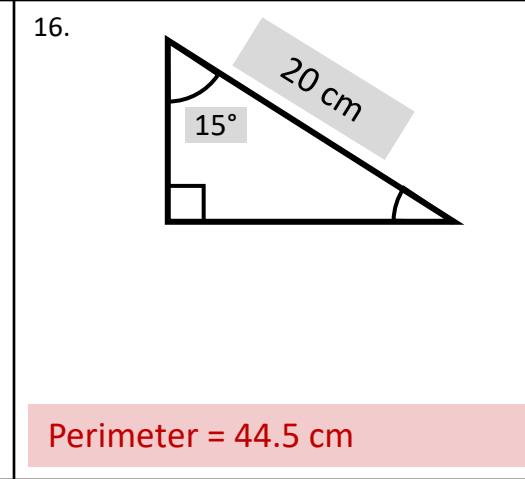
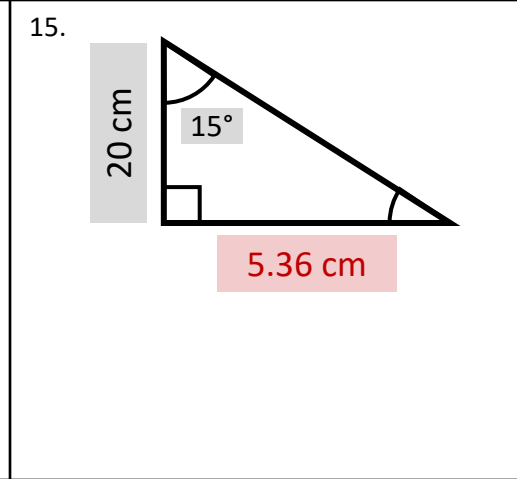
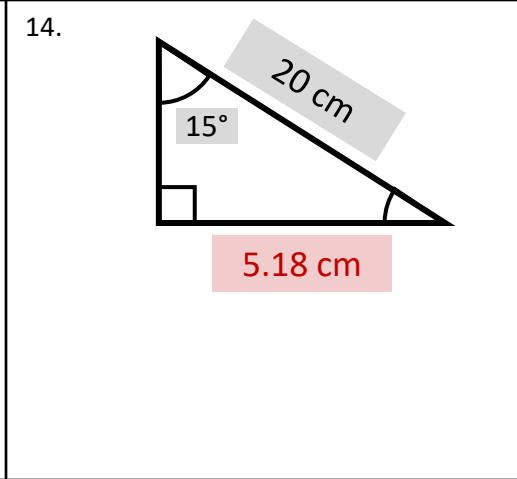
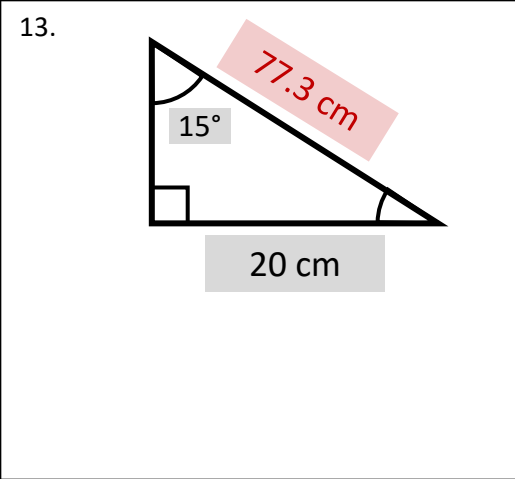
11.

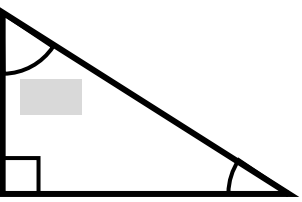


12.

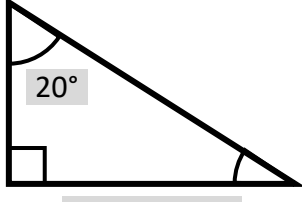




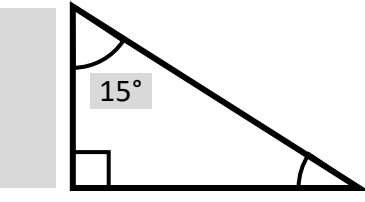


25. 
 20 cm

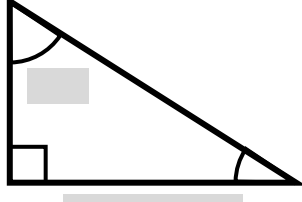
Area = 15 cm²

26. 
 20°

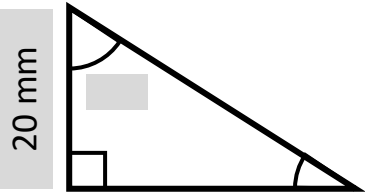
Perimeter = 15 cm

27. 
 15°

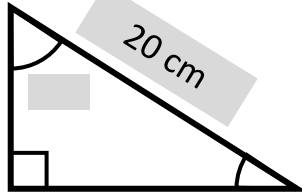
Area = 20 cm²

28. 
 20 cm

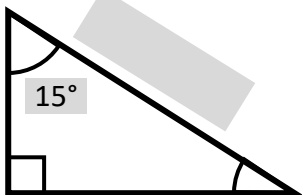
Perimeter = 15 m

29. 
 20 mm

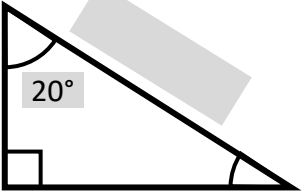
Perimeter = 15 cm

30. 
 20 cm

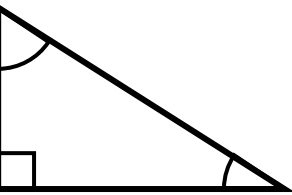
Area = 15 cm²

31. 
 15°

Perimeter = 20 cm

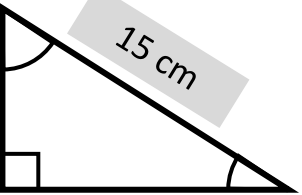
32. 
 20°

Area = 15 cm²

33. 
 15 cm

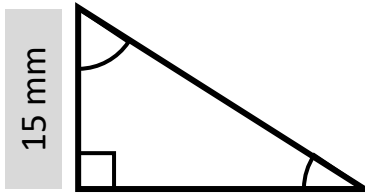
Perimeter =

Area = 20 cm²

34. 
 15 cm

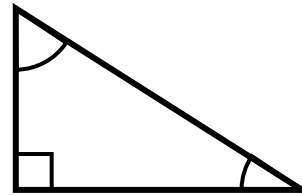
Perimeter =

Area = 20 cm²

35. 
 15 mm

Perimeter = 20 cm

Area =

36. 

Perimeter = 20 cm

Area = 15 cm²

