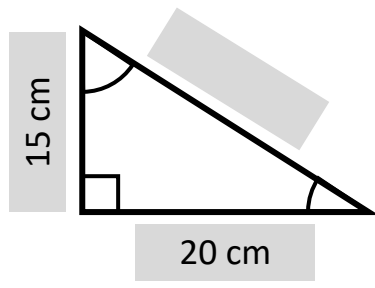
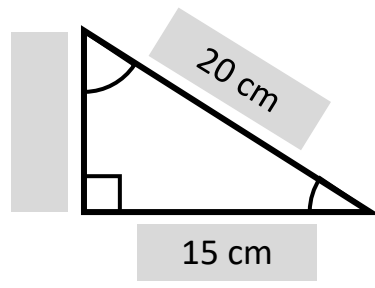


1. 

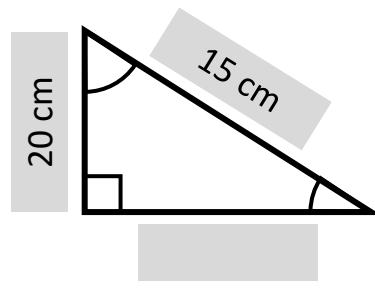
Perimeter =

Area =

2. 

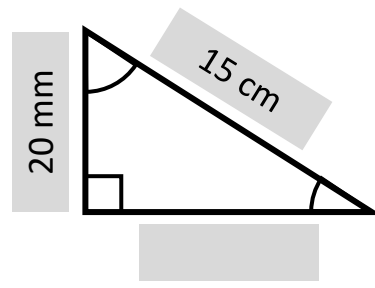
Perimeter =

Area =

3. 

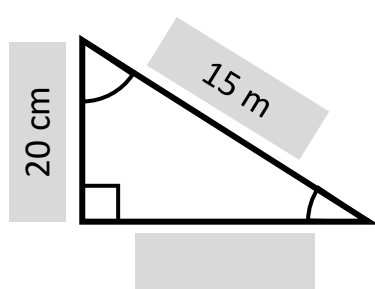
Perimeter =

Area =

4. 

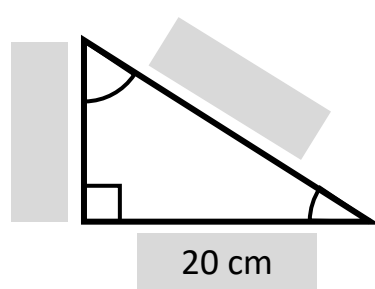
Perimeter =

Area =

5. 

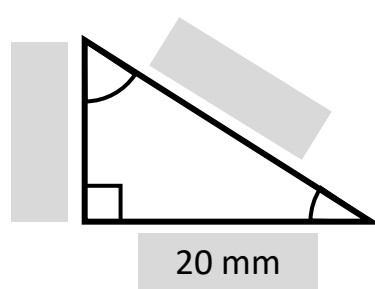
Perimeter =

Area =

6. 

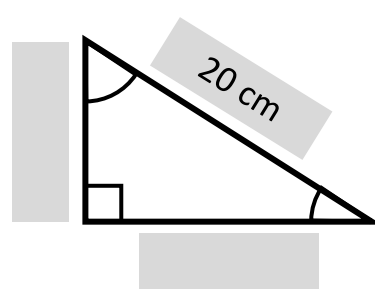
Perimeter =

Area = 15 cm^2

7. 

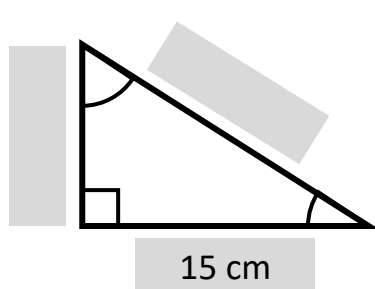
Perimeter = 15 cm

Area =

8. 

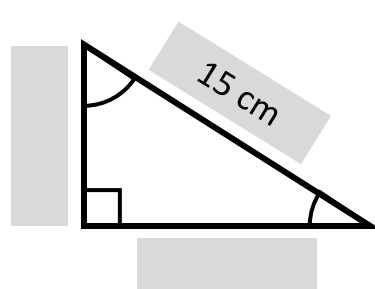
Perimeter =

Area = 15 cm^2

9. 

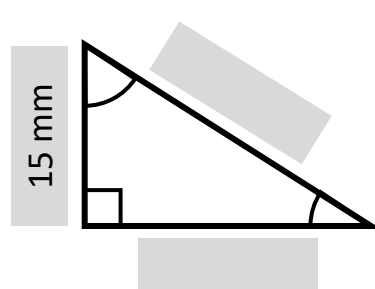
Perimeter =

Area = 20 cm^2

10. 

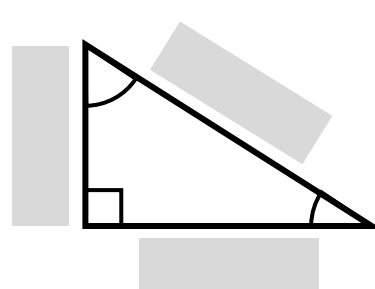
Perimeter =

Area = 20 cm^2

11. 

Perimeter = 20 cm

Area =

12. 

Perimeter = 20 cm

Area = 15 cm^2

